

LICHT PLANNERS



Tilted Position



Fixed down Position

GiRO is a flexible, efficient and precise lighting tool. The GiRO will create stunning presentations. Its 18W nano lens light engine delivers high quality LED lighting focused by its precision engineered optical elements. The GiRO is available with square frames with multiple heads.

Applications:

- Retail
- Architectural
- Commercial
- Exhibition
- Entertainment

TYPE : GYRO GIMBAL CIRC. ULTRA SPOT

PRODUCTCODE : -

DIMENSIES / mm

l x b x h : -
 diameter \emptyset : 180 mm
 vierkant \boxtimes : -
 sparingsmaat : 162mm
 lengte pendel : -

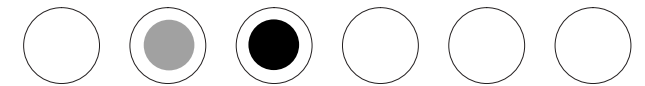
MATERIAAL : aluminium

GEWICHT / kg : 0,8kg

LICHTBRON : -

LICHTWARMTE : -

KLEUREN :



Deze documenten inclusief informatie en omschrijvingen zijn eigendom van LichtplannersBV. Zonder schriftelijke toestemming van Lichtplanners BV mag niets van dit document worden geproduceerd, gekopieerd of anderszins gebruikt worden. © Lichtplanners BV

Dit Document is in kleur vervaardigd.
 Bij Zwart kopiëren kunnen mogelijk delen wegvallen

LICHTPLANNERS BV - Leidsevaartweg 1 - 2106NA Heemstede
 T +31(0)23.5519073 - F +31(0)23.5519083 - info@lichtplanners.nl

Part number examples

Part Number	Description
GIRGC180XP18UN830W	GIRO:CIRC:180mm:1X18W:ULTRA-NAR-BEAM:3K80CRI:WHITE
GIRGC180XP25UN830W	GIRO:CIRC:180mm:1X25W:ULTRA-NAR-BEAM:3K80CRI:WHITE
GIRGC180XP18M930W	GIRO:CIRC:180mm:1X18W:ULTRA-NAR-BEAM:3K90CRI:WHITE

GIR = Giro Family

GC = Gimbal Circular

180 = Diameter of housing

XP = LED Lamp Technology

18 = 18 Total circuit watts

25 = 25 Total circuit watts

UN = Ultra Narrow beam >10 degree

M = Medium beam 20-30 degree

830 = >80CRI 3000K

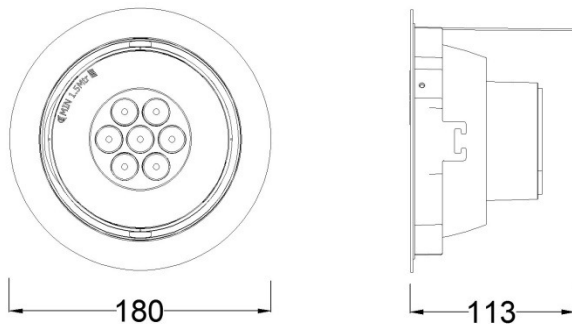
930 = >90CRI 3000K*

840 = >80CRI 4000K

W = RAL9010 Pure White

G = RAL9006 Grey Silver

B = RAL9005 Jet Black



Cut out \emptyset 162 mm
 Weight 0.8 kg