

# LICHT PLANNERS



Tilted Position



Fixed down Position

**GiRO** Circular delivers flexible high quality lighting to many applications. With a wide range of interchangeable reflectors, 45 degrees tilt and 355 degrees of rotation, the GiRO is a key lighting tool for creative high quality lighting design.

With industry leading optical efficiency, an "Easy change" lamp replacement system and High efficiency control gear as standard, the GiRO is the lighting professional's choice.

TYPE : GYRO GIMBAL CIRC.

PRODUCTCODE : -

DIMENSIES / mm

l x b x h : -  
 diameter  $\varnothing$  : 180 mm  
 vierkant  $\boxtimes$  : -  
 sparingsmaat : 162mm  
 lengte pendel : -

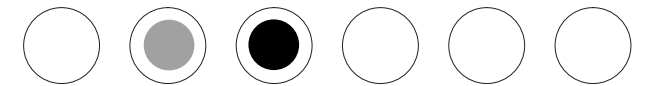
MATERIAAL : aluminium

GEWICHT / kg : 0,8kg

LICHTBRON : -

LICHTWARMTE : -

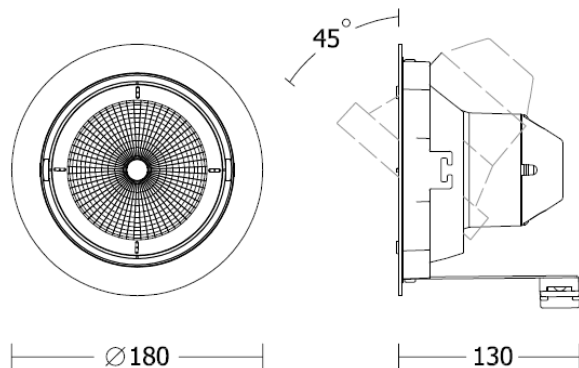
KLEUREN :



Deze documenten inclusief informatie en omschrijvingen zijn eigendom van LichtplannersBV. Zonder schriftelijke toestemming van Lichtplanners BV mag niets van dit document worden geproduceerd, gekopieerd of anderszins gebruikt worden. © Lichtplanners BV

Dit Document is in kleur vervaardigd.  
 Bij Zwart kopiëren kunnen mogelijk delen wegvallen

LICHTPLANNERS BV - Leidsevaartweg 1 - 2106NA Heemstede  
 T +31(0)23.5519073 - F +31(0)23.5519083 - info@lichtplanners.nl



Cut out  $\varnothing$  162 mm  
 Weight 0.8 kg

#### Part number examples

Part Number	Description
GIRGC180TC35N830W	GIRO-CIRCULAR:180:TC:35W:NAR-BEAM:3K80CRI: WHITE
GIRGC180TC35M830W	GIRO-CIRCULAR:180:TC:35W:MED-BEAM:3K80CRI: WHITE
GIRGC180TC35W830W	GIRO-CIRCULAR:180:TC:35W:WID-BEAM:3K80CRI: WHITE

**GIR** = Giro

**GC** = Gimbal Circular

**180** = Diameter of housing

**TC** = CDM-TC Lamp Technology

**20** = 20 Lamp watts

**35** = 35 Lamp watts

**70** = 70 Lamp watts

**N** = Narrow beam 10-20 degree

**M** = Medium beam 20-30 degree

**W** = Wide beam 30-50 degree

**830** = >80CRI 3000K

**930** = >90CRI 3000K\*

**840** = >80CRI 4000K

**W** = RAL9010 Pure White

**G** = RAL9006 Grey Silver

**B** = RAL9005 Jet Black

\*930 Not Available in 20W