

With a Theatrical Technical Style the TUBE is an ultra-efficient LED spotlight for display lighting. With greater than 94% LOR combined with the most modern of light sources, this "state of the art" LED spotlight is the perfect choice for creating stunning displays. Track and surface mount as standard. Integrated high efficient control gear, high performance optical and thermal management systems, ensure a long and reliable life for the fitting and lamp. Finished in a tough durable textured polyester powder coating.

Applications:

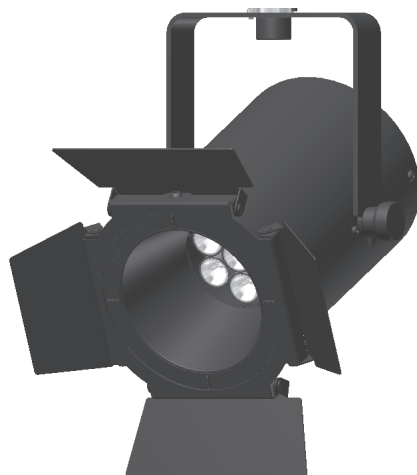
- Retail
- Architectural
- Commercial
- Exhibition

Options:

- Track or Surface mounted.
- 3000K or 4000K
- CRI >80 or 90*
*90CRI available in 3000K only
- Available in following finishes
Pure White (RAL9010),
Grey Silver (RAL9006),
Jet Black (RAL9005)

Accessories:

- Barn door kit [Black only]



Black version including barn doors

LICHT PLANNERS

TYPE : TUBE ULTRA

PRODUCTCODE : -

DIMENSIES / mm

l x b x h : -
 diameter Ø : -
 vierkant ☒ : -
 sparringsmaat : -
 lengte pendel : -

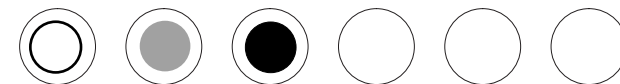
MATERIAAL : -

GEWICHT / kg : -

LICHTBRON : -

LICHTWARMTE : -

KLEUREN :



SURFACE MOUNTED	
TUBSM125XP25UN830W	TUBE:SURF:125:XP:25W:ULTRA-NAR-BEAM:3K80CRI:WHITE
TUBSM125XP25UN830G	TUBE:SURF:125:XP:25W:ULTRA-NAR-BEAM:3K80CRI:GREY
TUBSM125XP25UN830B	TUBE:SURF:125:XP:25W:ULTRA-NAR-BEAM:3K80CRI:BLACK
TRACK MOUNTED	
TUBT3125XP25UN830W	TUBE:TRK3CKT:125:XP:25W:ULTRA-NAR-BEAM:3K80CRI:WHITE
TUBT3125XP25UN830G	TUBE:TRK3CKT:125:XP:25W:ULTRA-NAR-BEAM:3K80CRI:GREY
TUBT3125XP25UN830B	TUBE:TRK3CKT:125:XP:25W:ULTRA-NAR-BEAM:3K80CRI:BLACK

TUB = TUBE

SM = Surface mount

T3 = Track mount triple circuit

125 = Diameter of housing

XP = CDM-TC Lamp Technology

25 = 25 Total Circuit watts

UN = Ultra Narrow beam <10 degree

M = Medium beam 20-30 degree

830 = >80RA 3000K

930 = >90RA 3000K

840 = >80RA 4000K

W = RAL9010 Pure White

G = RAL9006 Grey Silver

B = RAL9005 Jet Black

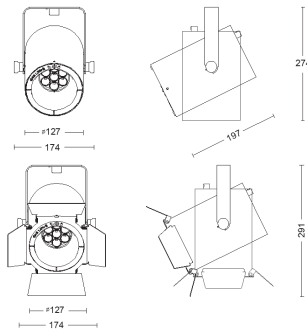
ACCESSORIES	
ABD1B	ACCESSORY:BARN-DOOR:125MM:BLACK



RAL9010 White

RAL9006 Silver Grey

RAL9005 Black



Deze documenten inclusief informatie en omschrijvingen zijn eigendom van LichtplannersBV. Zonder schriftelijke toestemming van Lichtplanners BV mag niets van dit document worden geproduceerd, gekopieerd of anderszins gebruikt worden. © Lichtplanners BV

Dit Document is in kleur vervaardigd. Bij Zwart kopiëren kunnen mogelijk delen wegvallen

LICHTPLANNERS BV - Leidsevaartweg 1 - 2106NA Heemstede
 T +31(0)23.5519073 - F +31(0)23.5519083 - info@lichtplanners.nl